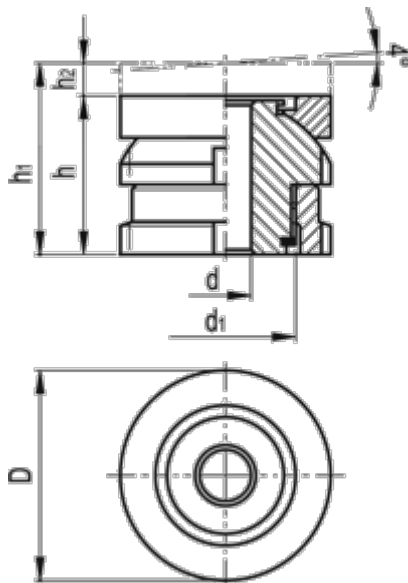


Article number: 203502702250NI

Description: E+G Levelling sets GN 350.2-70-22-50-NI

## Measures



C-spanner DIN 1810 = A68-75

$d$  = 22

$D$  = 70

$d_1$  = M50x1.5

For screw = M20

$h$  = 50

$h_1$  = 60

$h_2$  = 10

Max static load (kN) = 225

Static preload (kN) = 136.08

Weight (g) = 1300